



(A Division of Stadium Group plc)

POWER TRANSFORMER

2155A

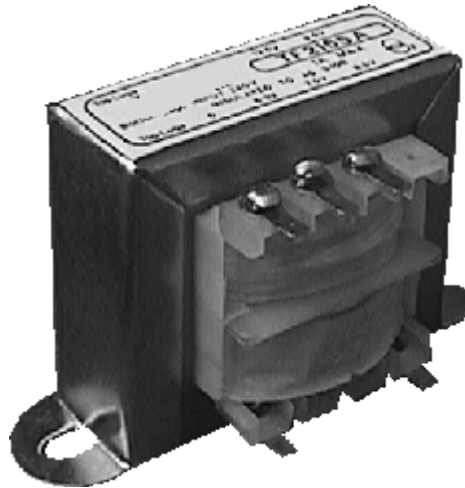
Multitap Transformer

APPLICATIONS:

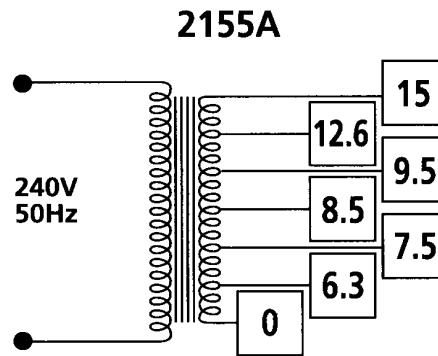
Replacements for transformers when servicing equipment.

FEATURES:

Small footprint for design flexibility.
Solder lugs for direct connection to leads.
All Stadium Power transformers have primary thermal fuses and are continuously rated within their specifications under full load.
Multiple taps provide a large number of output voltages



VOLTAGES AVAILABLE



1A maximum

INPUT SPECIFICATIONS:

Input Voltage	240V
Input Frequency	50Hz
Input Protection	Thermal Fuse

OUTPUT SPECIFICATIONS:

Output Voltage	6.3, 7.5, 8.5 9.5, 12.6, 15v
Output Current	1 Amp Cont.

OPERATING SPECIFICATIONS:

Insulation	Class B
Ambient Temp	35°C

STANDARDS AND APPROVALS:

Manufactured to AS/NZS 3108

MECHANICAL SPECIFICATIONS:

Dimensions

Height	50 mm
Width/ hole centres	70 mm
Depth	43 mm
Weight	465g
Carton Quantity	30 pcs